

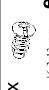





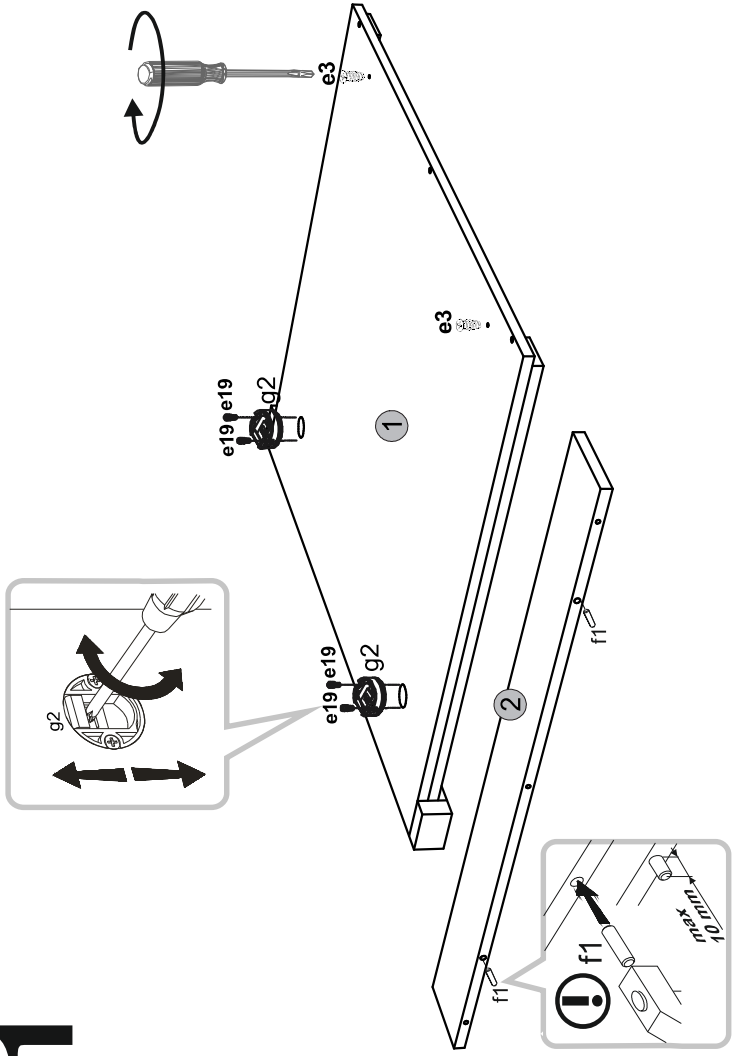


Element symbol	Dimensions	Code	Package
1	870 1000 16	L-123	1/1
2	1000 124 16	L-308	1/1

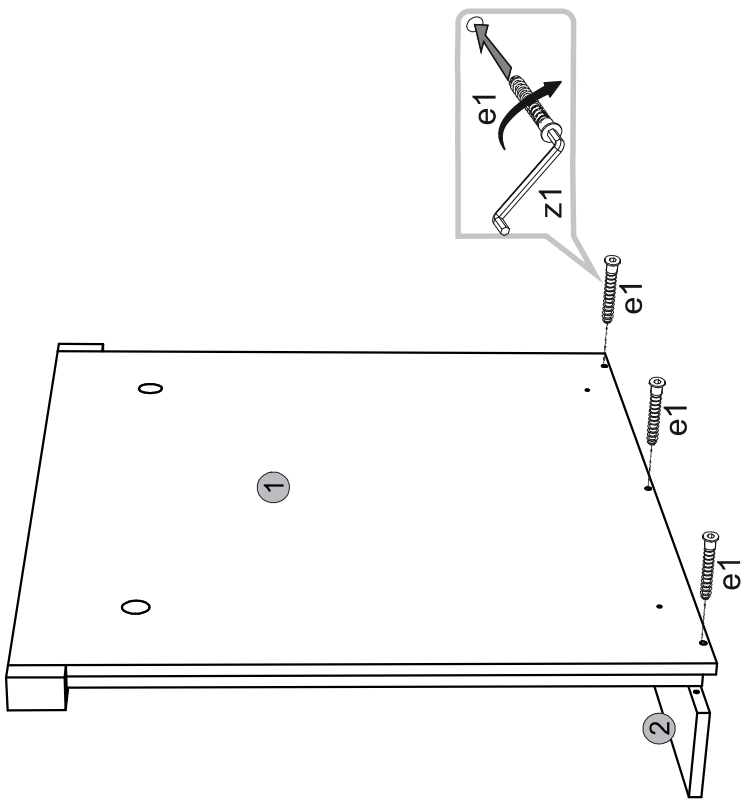
4x  e19 ø5.9 mm	2x  g2	2x  e2 ø6.3x13 mm	1x  z1
3x  e1 ø7.5x50 mm	2x  f1 ø8.0 mm	2x  p17 ø5.66 mm	2x  f3 ø10.00 mm



1



2



3

